



THE COOLANT HEATER OF CHOICE FOR TRANSIT



Standard J1939 CAN Bus

ULTRA-POWERFUL COOLANT HEATER FOR DEMANDING TRANSIT ENVIRONMENTS

With up to 125,000 BTU of output, the Proheat M-Series is an ultra-powerful, cold weather auxiliary heating solution for buses and coaches. This diesel-powered heater preheats the engine to ensure quick and reliable starts while reducing engine wear. Proheat M-Series heaters are also powerful enough to supply

supplemental interior heat for passenger and driver comfort while the main engine is running. The heater is designed to be accessible and easily serviced by technicians to help minimize down time. CAN Bus connectivity means the heater can be seamlessly installed on vehicles that rely on the J1939 network standard. Trusted in the transit industry for years, Proheat M-Series heaters are installed on buses and coaches across North America.

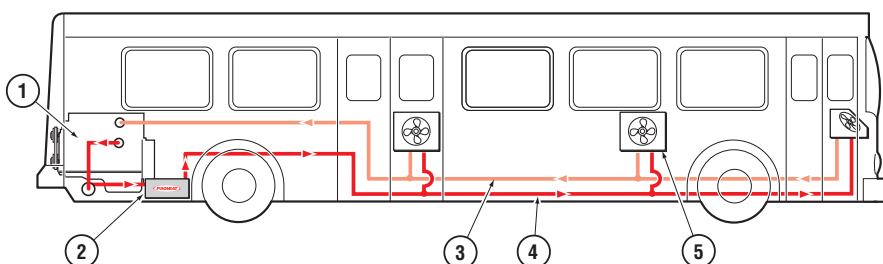
AT A GLANCE

M-SERIES HEATER FEATURES

- Diesel-powered coolant heater
- Models from 50,000 to 125,000 BTU/hr (15 to 37 kW)
- Engine preheat reduces start-up wear and tear
- Generates supplemental heat for drivers and passengers
- Optional control of an external coolant pump
- Two year parts and labor warranty

NEW FEATURES

- Standard J1939 CAN Bus
- USB connectivity
- Integrated diagnostic indicator
- Diaphragm compressor
- Dual mode temperature sensor

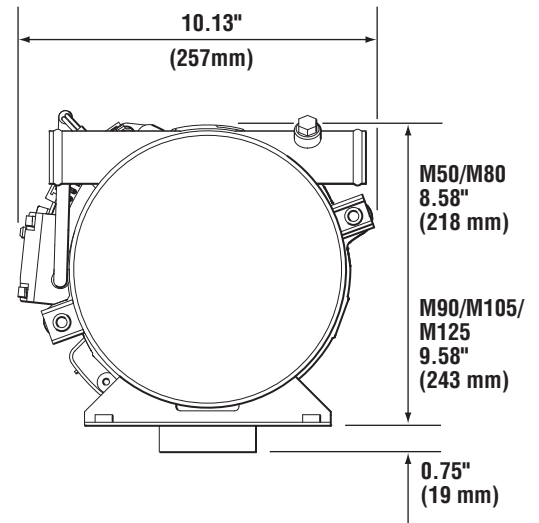
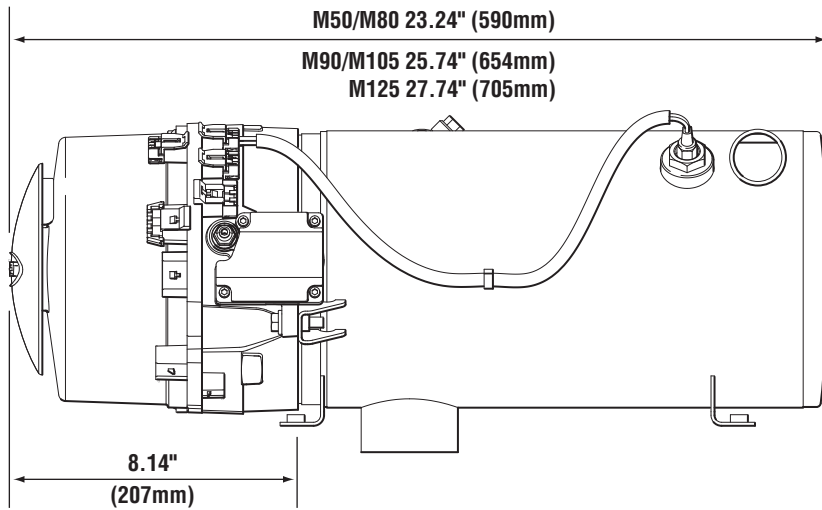


- 1 Engine
- 2 Proheat M-Series
- 3 Return to Engine
- 4 Supply from Proheat
- 5 Fan





SPECIFICATIONS



MODEL	M50	M80	M90	M105	M125
HEAT OUTPUT BTU/hr (kW)	50,000 (15)	80,000 (24)	90,000 (26)	105,000 (31)	125,000 (37)
SYSTEM VOLTAGE	24V	24V	24V	24V	24V
CURRENT DRAW - Amps	5.2	5.2	5.2	9.5	9.5
FUEL CONSUMPTION gal/hr (L/hr.)	0.48 (1.8)	0.78 (2.9)	0.78 (2.9)	1.00 (3.8)	1.15 (4.1)
IGNITION TYPE	Electronic Spark Ignition				
FUEL TYPES	ULSD, Diesel #1, Diesel #2, JP8, Jet A1, Arctic, Biodiesel B1-B20*				
COOLANT OUTPUT TEMP.	+150°F to +185°F (+65°C to +85°C) <i>Optional set points available</i>				
AMBIENT TEMPERATURE	Operating - 40°F to +122°F (-40°C to +50°C) Non Operating - 58°F to +185°F (-50°C to +85°C)				
WEIGHT lbs (Kg)	53 (23)	53 (23)	57.5 (26)	57.5 (26)	60 (27.2)
HEAT EXCHANGER CAPACITY gal (L)	0.5 (1.9)	0.5 (1.9)	0.63 (2.4)	0.63 (2.4)	0.75 (2.8)
COOLANT SYSTEM gal (L) Minimum capacity	3 (11.4)	6 (22.7)	6 (22.7)	8 (30.3)	9 (31.4)
COOLANT SYSTEM gal (L) Recommended minimum flow rate through heater	5 (18.9)	7 (26.5)	7 (26.5)	9 (31.4)	11 (41.6)

M-Series heater with install kit.



A removable burner head provides easy access for technicians.



Please Note:

Specifications are subject to change without notice.

* Limited service life above B5, increased inspection frequency required.

Proheat are registered trademark of Teleflex Canada and its subsidiary companies.

