



Heater **Whisper 200/3-5 fans**

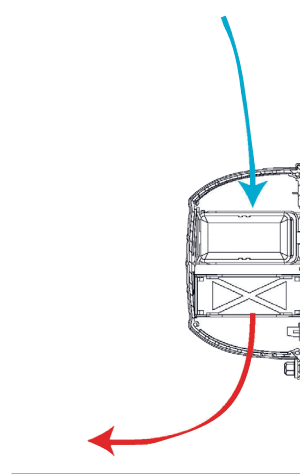
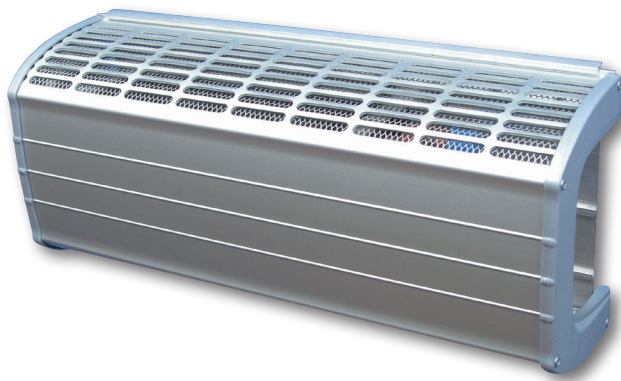
High performance with unique flexibility

The Whisper 200 is a highly customizable wall mounted heating unit designed for motor coaches and buses. It consists of a coolant type heat exchanger with two speed fans; 24V or 12V.

It can be used as a stand-alone heating unit or in combination with convectors.

The Whisper 200 can be customized in different configurations, e.g. with two to five fans and front or rear water connections. It can be used as stand alone heating source or in combination with convectors.

The Whisper 200 is EMC approved according to directive 72/245/EEG including rev 2006/28/EG.

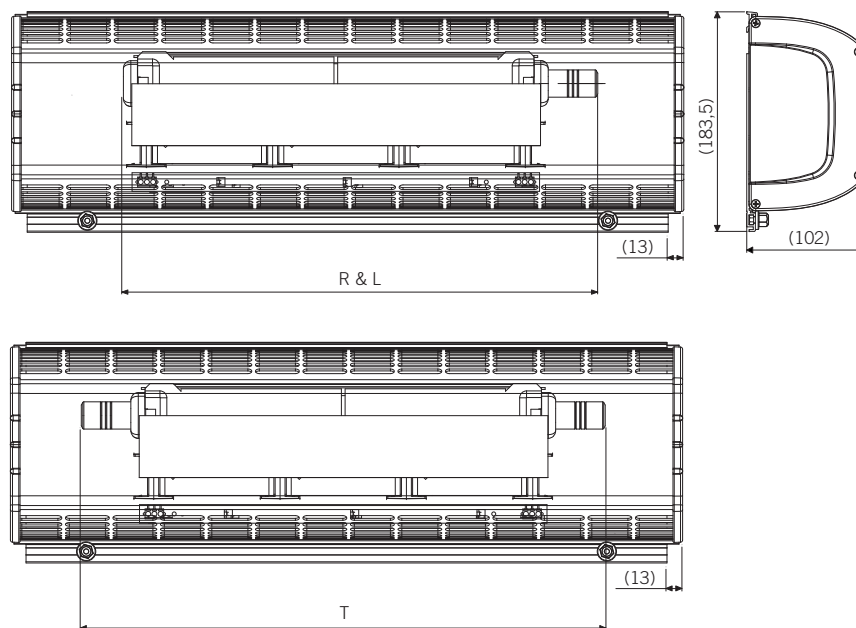


Features

- Heater blower system for buses with water/glycol based heating systems.
- Smooth air distribution.
- Many configurations possible thanks to flexible design.
- Long life two speed fans.
- Low weight.

Heaters **Whisper 200/3-5 fans**

MCC Heaters



Dimensions in mm

Variant	5 Fans	3 Fans
Left or Right Connection (R&L)	23.3" (591 mm)	15.1" (383 mm)
Through water Connection (T)	25" (631 mm)	17" (423 mm)

Technical Data

	5 Fans	3 Fans
Heat	16037 Btu (4.7 kW) Q_{80} 20131 Btu (5.9 kW) Q_{100}	9554 Btu (2.8 kW) Q_{80} 11942.5 Btu (3.5 kW) Q_{100}
Air flow	153 CFM (260 m ³ /h)	92 CFM (156 m ³ /h)
Heat exchanger water connection	Ø 0.9" (22 mm)	Ø 0.9" (22 mm)
Voltage	12 or 24V	12 or 24V
Depth	4" (102 mm)	4" (102 mm)
Height	7.2" (183.5 mm)	7.2" (183.5 mm)
Length	According to request, see Whisper 200 product configuration	
Cover sections	Anodized aluminum	

* The Q_x value stands for the temperature difference between the water inlet temp and the air temp in the room where the heat exchanger is. For instance water inlet temp +80°C and air temp +20°C is known as Q_{60} .

