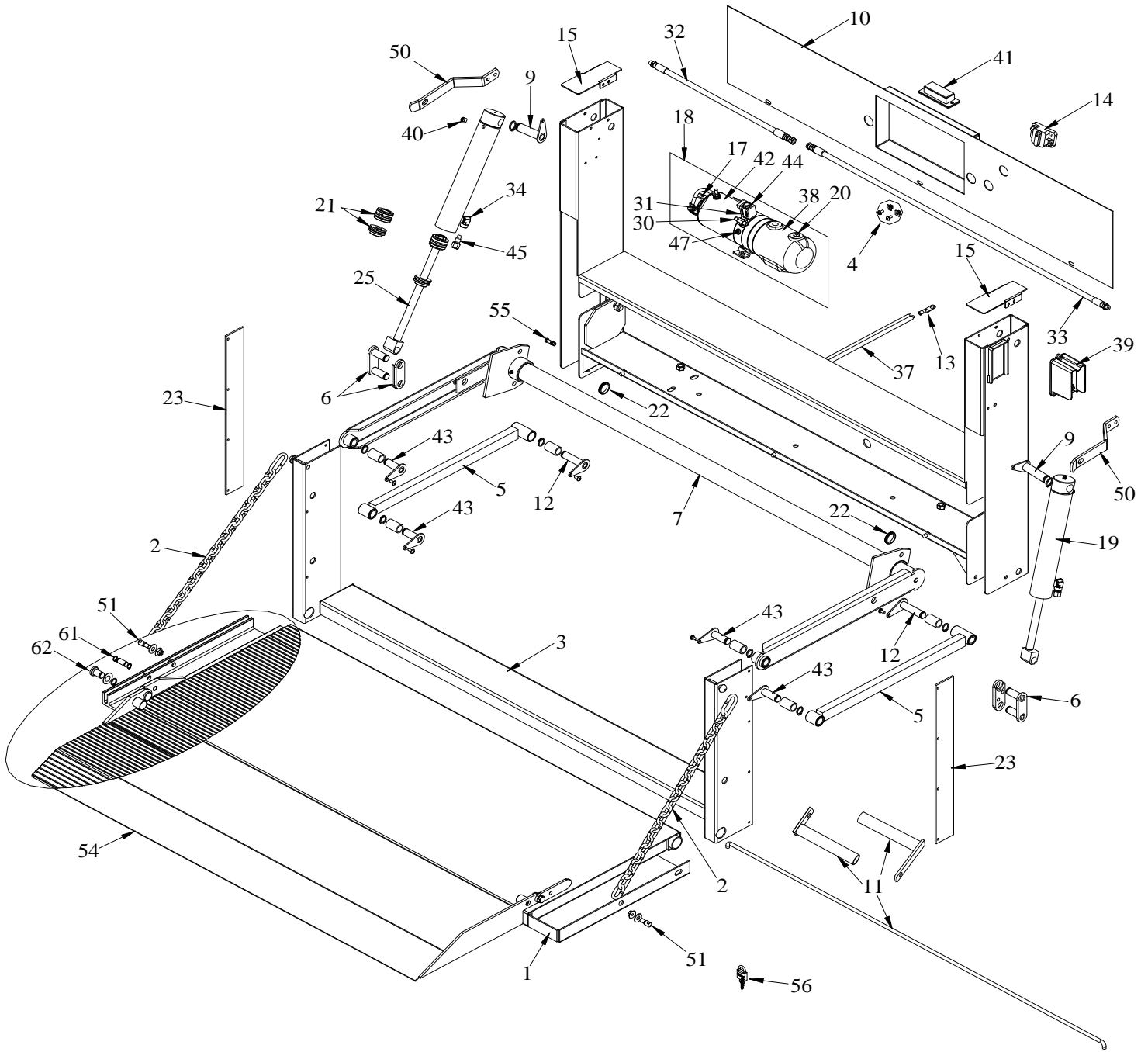


1340, 1540 AND 1640 SERIES G2 PARTS DRAWING

FOR MODELS 54, 60, 64



1340, 1540 & 1640 G2 SERIES PARTS LIST

Draw. Ref.	Part No.	Description	Qty Required
1	4833	54 G2 27" Treadplate Replacement Platform	1
	4834	54 G2 38" Treadplate Replacement Platform	1
	4835	54 G2 42" Treadplate Replacement Platform	1
	1631	54 38" EA Replacement Platform	1
	4820	54 37+11+6 EA Replacement Platform	1
	4866	60 G2 27" Treadplate Replacement Platform	1
	4867	60 G2 38" Treadplate Replacement Platform	1
	4868	60 G2 42" Treadplate Replacement Platform	1
	1632	60 38" EA Replacement Platform	1
	4799	60 37+11+6 EA Replacement Platform	1
	4869	64 G2 27" Treadplate Replacement Platform	1
	4870	64 G2 38" Treadplate Replacement Platform	1
	4871	64 G2 42" Treadplate Replacement Platform	1
	1633	64 38" EA Replacement Platform	1
	4798	64/65 37+11+6 EA Replacement Platform	1
2	3883	Replacement G2 Platform Chain(24 links)	2
	3884	Replacement 48" EA Platform Chain	2
3	2044	54-40G2 Replacement Sub Assembly	1
	2045	60-40G2 Replacement Sub Assembly	1
	2046	64-40G2 Replacement Sub Assembly	1
4	1111	License Plate Mount Kit	1
5	7007	G2 Replacement Lower Arm w/Pins & Bushings	2
6	2182	G2 Replacement Clevis Cylinder Assembly	2
7	2040	54-40G2 Replacement Upper Arm Assembly	1
	2041	60-40G2 Replacement Upper Arm Assembly	1
	2042	64-40G2 Replacement Upper Arm Assembly	1
9	2180	7/8" Replacement G2 Upright Back Cylinder Pin	2
10	4837	Replacement Box Cover (54G2)	1
	2036	Replacement Box Cover w/Lights (54G2)	1
	4949	Replacement Box Cover (60G2)	1
	2037	Replacement Box Cover w/Lights(60G2)	1
	4950	Replacement Box Cover (64G2)	1
	2038	Replacement Box Cover w/Lights(64G2)	1
11	8025	EA Torsion Spring Kit(54)	1
	8083	EA Torsion Spring Kit(54) Deep Platform	1
	8026	EA Torsion Spring Kit(60)	1
	8027	EA Torsion Spring Kit(64/65)	1
	8084	EA Torsion Spring Kit(60) Deep Platform	1
	8085	EA Torsion Spring Kit(64/65) Deep Platform	1
12	2181	3/4" Replacement G2 Upright Back Arm Pin & Bushing	2
13	992	Replacement Copper Lug	6
14	998	Replacement 150 Amp Manual Reset Circuit Breaker	1
15	2015	Replacement G2 Upright Cap	1
17	967	Replacement Raise Solenoid-3 Post	1
18	968	Replacement 1340 G2 Pump & Motor Unit(2050PSI)	1
	969	Replacement 1540 G2 Pump & Motor Unit(2350PSI)	1
	970	Replacement 1640 G2 Pump & Motor Unit(2500PSI)	1
19	971	Replacement G2 Cylinder	2
20	989	Replacement Vent Plug	1
21	1138	G2 Cylinder Repair Kit (after serial# 470166M)	2
22	972	Replacement Split Plastic Grommet Kit	1
23	2143	Replacement G2 Sub Assembly Belting	2
25	1211	Replacement G2 Cylinder Shaft Complete (40) (after serial# 470166M)	2
30	973	Replacement Monarch Lee Check Valve (after serial# M-335705 1000# & 1300# (after serial# M16-26635 1600#)	1
31	974	Replacement G2 T Fitting (Pump & Motor)	1
32	975	Replacement 1/4"X21" Hydraulic Hose-Left(G2)	1
33	976	Replacement 1/4"x52" Hydraulic Hose-Right(54&60G2)	1
	977	Replacement 1/4"x56.63" Hydraulic Hose-Right(64G2)	1

1340, 1540 & 1640 G2 SERIES PARTS LIST

Draw. Ref.	Part No.	Description	Qty Required
34	978	Replacement 1/4"x1/4"x90 Degree Steel Cylinder Elbow	1
37	4570	Replacement 4 Ga. 2 Wire Electric Cable w/Lugs-26 ft.	1
38	957	Replacement 1.5QT Monarch Plastic Tank(G2) **	1
39	987	Replacement Fixed Control	1
40	979	Replacement Vent Plug - Cylinder(Rail&G2)	2
41	4036	Replacement License Plate Light & Bracket(154C)	1
42	958	Replacement 12 Volt Motor-Only (Monarch)**	1
43	2183	3/4" Replacement G2 Upright Front Arm Pin	4
44	9645	Release Solenoid External Assembly w/Connector	1
45	959	Replacement Flow Control(G2)	2
47	4269	Replacement Pump (only) w/1.5qt. Tank 1340 G2(1750PSI)	1
	4270	Replacement Pump (only) w/1.5qt. Tank 1540 G2(2050PSI)	1
	4268	Replacement Pump (only) w/1.5qt. Tank 1640 G2(2200PSI)	1
50	2017	G2 Replacement Latch Kit	2
51	2020	Replacement Platform Latch Pin Assembly(G2)	2
54	960	G2 54-F11+4 Replacement Treadplate Flipper	1
	961	G2 54-F11+7 Replacement Treadplate Flipper	1
	1881	54-F11 Replacement EA Flipper	1
	962	G2 60-F11+4 Replacement Treadplate Flipper	1
	963	G2 60-F11+7 Replacement Treadplate Flipper	1
	1882	60-F11 Replacement EA Flipper	1
	964	G2 64/65-F11+4 Replacement Treadplate Flipper	1
	965	G2 64/65-F11+7 Replacement Treadplate Flipper	1
	1883	64/65-F11 Replacement EA Flipper	1
55	1010	G2 Replacement Drop Away Pin Assembly	1
56	966	Replacement Padlock w/Keys	1
61	4712	EA Replacement Platform Chain Pin(1.079")	2
62	4717	EA Replacement Flipper Rivet	2

**Please provide the liftgate Model and Serial numbers when ordering repair parts.