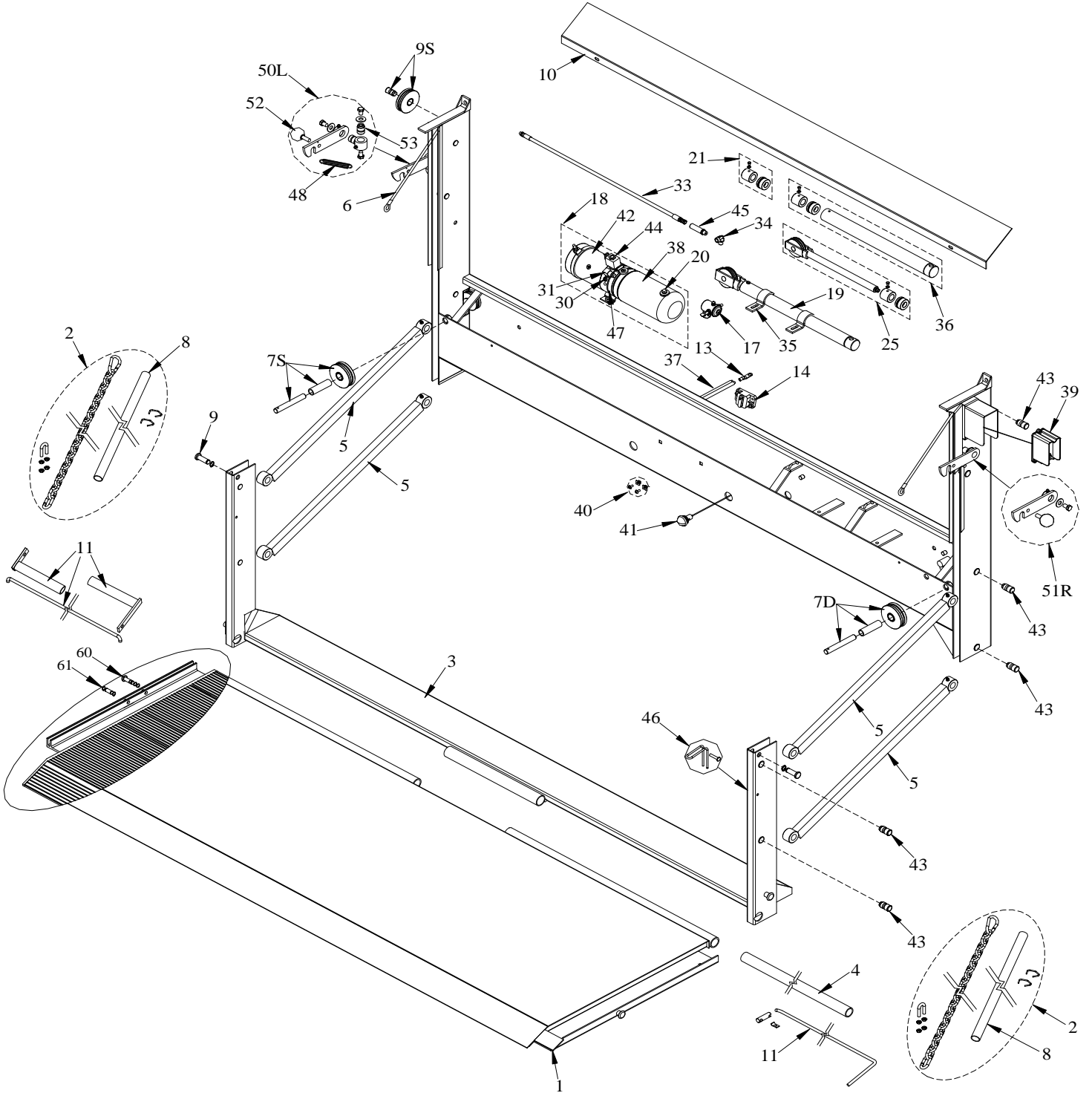


OLD 1046, 1346, 1348, 1350, 1646, 1648 AND 1650 ORIGINAL SERIES PARTS DRAWING

(Before Serial# M-341000 1000# & 1300#) (Before Serial# M16-28000 1600#)
FOR MODELS 64SB, 72, 80, 86 & 91



OLD 1046, 1346, 1348, 1350, 1646, 1648, 1650 AND LD ORIGINAL SERIES PARTS PRICE LIST

Draw. Ref.	Part No.	Description	Qty Required
1	1660	(64SB) 36" Treadplate Replacement Platform	1
	1638	64SB EA Replacement Platform	1
	1661	(72) 36" Treadplate Replacement Platform	1
	1639	72 EA Replacement Platform	1
	1662	(80) 36" Treadplate Replacement Platform	1
	1640	80 EA Replacement Platform	1
	1663	(86) 36" Treadplate Replacement Platform	1
	1641	86 EA Replacement Platform	1
	1664	(91) 36" Treadplate Replacement Platform	1
	1642	91 EA Replacement Platform	1
	1665	(72) LD Treadplate Replacement Platform (Discontinued - See Drawing Ref 84)	1
	1666	(80) LD Treadplate Replacement Platform (Discontinued - See Drawing Ref 84)	1
	1667	(86) LD Treadplate Replacement Platform (Discontinued - See Drawing Ref 84)	1
	1668	(91) LD Treadplate Replacement Platform (Discontinued - See Drawing Ref 84)	1
	9488	(72) LD Treadplate Replacement Platform (New Style)	1
	9489	(80) LD Treadplate Replacement Platform (New Style)	1
	9553	(86) LD Treadplate Replacement Platform (New Style)	1
9552	(91) LD Treadplate Replacement Platform (New Style)	1	
2	3843	1046-1650 Replacement Platform Chain (32 Links)	2
	3848	50" Travel EA Replacement Platform Chain(30 Links with 1.579" Pin)	2
	3884	50" Travel EA Replacement Platform Chain(30 Links with 1.079" Pin)	2
	3851	1046LD-1650LD Replacement Platform Chain (32 Links)	2
	3849	40+8 Replacement Platform Chain (39 Links)	2
3	3560	64SB Replacement Sub Assembly	1
	3595	64SB EA Replacement Sub Assembly	1
	3563	72 Replacement Sub Assembly	1
	3596	72EA Replacement Sub Assembly	1
	3568	80 Replacement Sub Assembly	1
	3597	80EA Replacement Sub Assembly	1
	3572	86 Replacement Sub Assembly	1
	3598	86EA Replacement Sub Assembly	1
	3576	91 Replacement Sub Assembly	1
	3599	91EA Replacement Sub Assembly	1
	3566	72LD Replacement Sub Assembly (Discontinued - See Drawing Ref 84)	1
	3570	80LD Replacement Sub Assembly (Discontinued - See Drawing Ref 84)	1
	3574	86LD Replacement Sub Assembly (Discontinued - See Drawing Ref 84)	1
	3578	91LD Replacement Sub Assembly (Discontinued - See Drawing Ref 84)	1
4	6428	64 Replacement Hinge Tube- Steel Platform	1
	6429	72 Replacement Hinge Tube- Steel Platform	1
	6430	80 Replacement Hinge Tube- Steel Platform	1
	6431	86 Replacement Hinge Tube- Steel Platform	1
	6432	91 Replacement Hinge Tube- Steel Platform	1
5	1126	1046-1650 Replacement Lift Arm w/Pins & Zerks	4
6	4617	7/32" Replacement Lift Cable Kit	2
	4624	5/16" Replacement Lift Cable Kit	2
7D	4181	4" Dia. Double (7/32")Groove Replacement Pulley Kit w/7/8" Cross Box Pin	1
	4182	4" Dia. Double (5/16")Groove Replacement Pulley Kit w/7/8" Cross Box Pin	1
7S	4185	4" Dia. Single (7/32")Groove Replacement Pulley Kit w/7/8" Cross Box Pin	1
	4186	4" Dia. Single (5/16")Groove Replacement Pulley Kit w/7/8" Cross Box Pin	1
8	6516	Replacement Cloth Chain Cover	2
	6596	Replacement Cloth Chain Cover (39 Link)	2
9	4769	5/8"x1-13/16" Cable Rivet w/Snap Ring	2
9S	4183	4" Single (7/32") Groove Replacement Pulley Kit w/7/8" Upright Pin	2
	4184	4" Single (5/16") Groove Replacement Pulley Kit w/7/8" Upright Pin	2
10	4964	Replacement Box Cover (64)	1
	4965	Replacement Box Cover (72)	1
	4966	Replacement Box Cover (80)	1
	4967	Replacement Box Cover (86)	1
	4968	Replacement Box Cover (91)	1
11	3691	Torsion Spring Kit (64)	1
	8085	EA Torsion Spring Kit(64)Deep Platform	1
	3692	Torsion Spring Kit (72)	1
	8028	EA Torsion Spring Kit(72)	1
	3693	Torsion Spring Kit (80)	1
	8117	EA Torsion Spring Kit(80)	1
	3694	Torsion Spring Kit (86)	1
	8118	EA Torsion Spring Kit(86)	1
	3698	Old Style SQ. Torsion Spring Kit (86)	1
	3695	Torsion Spring Kit (91)	1
8119	EA Torsion Spring Kit(91)	1	
3699	Old Style SQ. Torsion Spring Kit (91)	1	
13	992	Replacement Copper Lug	6
14	998	Replacement 150 Amp Manual Reset Circuit Breaker	1
17	967	Replacement Raise Solenoid-3 Post	1
18	4362	M319 Replacement Pump & Motor (3800 psi) 1.5 Qt.** 1034,1036,1040	1
	4365	M319 Replacement Pump & Motor (2500 psi) 3 Qt.** 1346 Thru 1350	1
	4366	M319 Replacement Pump & Motor (3000 psi) 3 Qt.** 1646 Thru 1650	1
	4079	M319 Replacement Pump & Motor (3800 psi) 3 Qt.** 1046	1
19	9758	1046 Replacement Cylinder	1
	9763	64SB-1346 Replacement Cylinder	1
	9759	1346-1350 Replacement Cylinder	1
	3432	64SB-1646 Replacement Cylinder	1
	9754	1646-1650 Replacement Cylinder	1
20	989	Replacement Vent Plug	1
21	1140	1-3/4" Cylinder Repair Kit (1046 & 1340) Includes Piston, Guide Bushing & O-rings	1
	1141	2" Cylinder Repair Kit (1346-1650) Includes: Piston, Guide Bushing & O-rings	1

OLD 1046, 1346, 1348, 1350, 1646, 1648, 1650 AND LD ORIGINAL SERIES PARTS PRICE LIST

Draw. Ref.	Part No.	Description	Qty Required
25	3223	Cylinder Shaft w/Pulley Assembly(1046) Includes: Cylinder Repair Kit	1
	3220	Cylinder Shaft w/Pulley Assembly(1346) Includes: Cylinder Repair Kit	1
	3225	Cylinder Shaft w/Pulley Assembly(1348-1350) Includes: Cylinder Repair Kit	1
	3228	Cylinder Shaft w/Pulley Assembly(1646) Includes: Cylinder Repair Kit	1
	3226	Cylinder Shaft w/Pulley Assembly(1648-1650) Includes: Cylinder Repair Kit	1
30	973	Replacement Monarch Lee Check Valve (after serial# M-336056 1000# & 1300#) (after serial #M16-26870 1600#)	1
31	944	Replacement 90 Degree Elbow (Male 9/16 Oring Boss x Female 1/4 NPTF)	1
	945	Replacement 90 Degree Elbow (Male 3/8 NPTF x Female 1/4 NPTF)	1
33	996	Replacement 1/4" x 44" Hydraulic Hose (64 & 650)	1
	935	Replacement 1/4"x48" Hydraulic Hose (72-1046)	1
	936	Replacement 1/4"x56" Hydraulic Hose (80-1046)	1
	937	Replacement 1/4"x62" Hydraulic Hose (86-1046)	1
	938	Replacement 1/4"x68" Hydraulic Hose (91-1046)	1
	939	Replacement 3/8"x41" Hydraulic Hose (64-1346-1646SB)	1
	940	Replacement 3/8"x48" Hydraulic Hose (72-1348-1650)	1
	941	Replacement 3/8"x56" Hydraulic Hose (80-1348-1650)	1
	942	Replacement 3/8"x62" Hydraulic Hose (86-1348-1650)	1
	943	Replacement 3/8"x68" Hydraulic Hose (91-1348-1650)	1
34	978	Replacement 1/4"x1/4"x90 Degree Steel Cylinder Elbow	1
	934	Replacement 3/8"x3/8"x90 Degree Cylinder Elbow	1
35	6832	1-1/2" Replacement Cylinder Clamp (1034-1040)	2
	6833	1-3/4" & 2" Replacement Cylinder Clamp (1340-1650)	2
36	3253	Replacement Cylinder Barrel Assembly (1046) Includes: Cylinder Repair Kit	1
	3256	Replacement Cylinder Barrel Assembly(1346-1646) Includes: Cylinder Repair Kit	1
	3254	Replacement Cylinder Barrel Assembly(1348-1650) Includes: Cylinder Repair Kit	1
37	4708	Replacement 4Ga. 2 Wire Electric Cable w/Lugs-33 ft.	1
38	4354	Replacement Monarch Plastic Tank (2qt.)**	1
	4355	Replacement Monarch Plastic Tank (3qt.)**	1
39	987	Replacement Fixed Control	1
40	1111	License Plate Mount Kit	1
41	949	Replacement Original Series License Plate Light	2
42	958	Replacement 12 Volt Motor-Only (Monarch)**	1
	950	Replacement 12 Volt Motor-Only (Fenner)**	1
43	7545	3/4" Arm Pin w/Zerk (before serial #M-83394)	10
	951	Replacement 3/4"x1-1/2" Arm Pin (after serial #M-83393)	10
	7547	7/8" Arm Pin w/Zerk (before serial #M-82341-1000#&1300#) (before serial #M16-13066-1600#)	10
	952	Replacement 7/8" Arm Pin (after serial #M-82340-1000#&1300#) (after serial #M16-13065-1600#)	10
44	9645	Release Solenoid External Assembly With Connector	1
45	953	Replacement Flow Control(1/4 M x 1/4 F x .078)	1
	986	Replacement Flow Control(3/8 M x 3/8 Fx.078)	1
46	3818	Kickaway Spring w/ Pin	2
47	4277	Replacement M319 Pump (only) w/1.5 Qt. Tank (3800 psi)** 1034,1036,1040	1
	4279	Replacement M319 Pump (only) w/3 Qt. Tank (2500psi)** 1346 thru 1350	1
	4281	Replacement M319 Pump (only) w/3 Qt. Tank (3000psi)** 1646 thru 1650	1
	4292	Replacement M319 Pump (only) w/3 Qt. Tank (3800psi)** 1046	1
	48	954	Replacement Latch Spring
50	1087	LD Latch Kit	2
50L	1070	Driver's Side Latch Kit (swing away)	1
	1107	Driver's Side Latch Kit EA (swing away)	1
51R	1071	Passenger's Side Latch Kit (fixed)	1
52	955	Replacement Latch Knob with Stud	2
53	7516	Replacement Threaded Latch Bushing	2
55	932	Replacement (91) Grip Tape Kit For Platform	1
60	4713	EA Replacement Latch Rivet(1.5")	2
	4716	EA Replacement Latch Rivet(2")	2
61	4712	EA Replacement Platform Chain Pin(1.079")	2
	4715	EA Replacement Platform Chain Pin(1.579")	2
72	9521	Replacement Latch Pin and Lanyard Kit	2
74	1083	Replacement Pin & Chain Only (LND)	2
75	1085	Dump Thru Knob & Pin Kit w/Spring-Driver's Side	1
76	1084	Replacement Dump Thru Handle Kit-Passenger's Side	1
81	4566	72LD Replacement Platform Frame Assembly (Discontinued - See Drawing Ref 84)	1
	4567	80LD Replacement Platform Frame Assembly (Discontinued - See Drawing Ref 84)	1
	4568	86LD Replacement Platform Frame Assembly (Discontinued - See Drawing Ref 84)	1
	4569	91LD Replacement Platform Frame Assembly (Discontinued - See Drawing Ref 84)	1
82	4580	72LD Replacement Treadplate Platform Insert (Discontinued - See Drawing Ref 84)	1
	4581	80LD Replacement Treadplate Platform Insert (Discontinued - See Drawing Ref 84)	1
	4582	86LD Replacement Treadplate Platform Insert (Discontinued - See Drawing Ref 84)	1
	4583	91LD Replacement Treadplate Platform Insert (Discontinued - See Drawing Ref 84)	1
83	4576	72LD Lower Replacement Latch Assembly	1
	4577	80LD Lower Replacement Latch Assembly	1
	4578	86LD Lower Replacement Latch Assembly	1
	4579	91LD Lower Replacement Latch Assembly	1
84	2514	Retro 72 LND Replacement Platform/Sub Assembly Kit	1
	2515	Retro 80 LND Replacement Platform/Sub Assembly Kit	1
	2516	Retro 86 LND Replacement Platform/Sub Assembly Kit	1
	2517	Retro 91 LND Replacement Platform/Sub Assembly Kit	1

**Please provide the liftgate Model and Serial numbers when ordering repair parts.