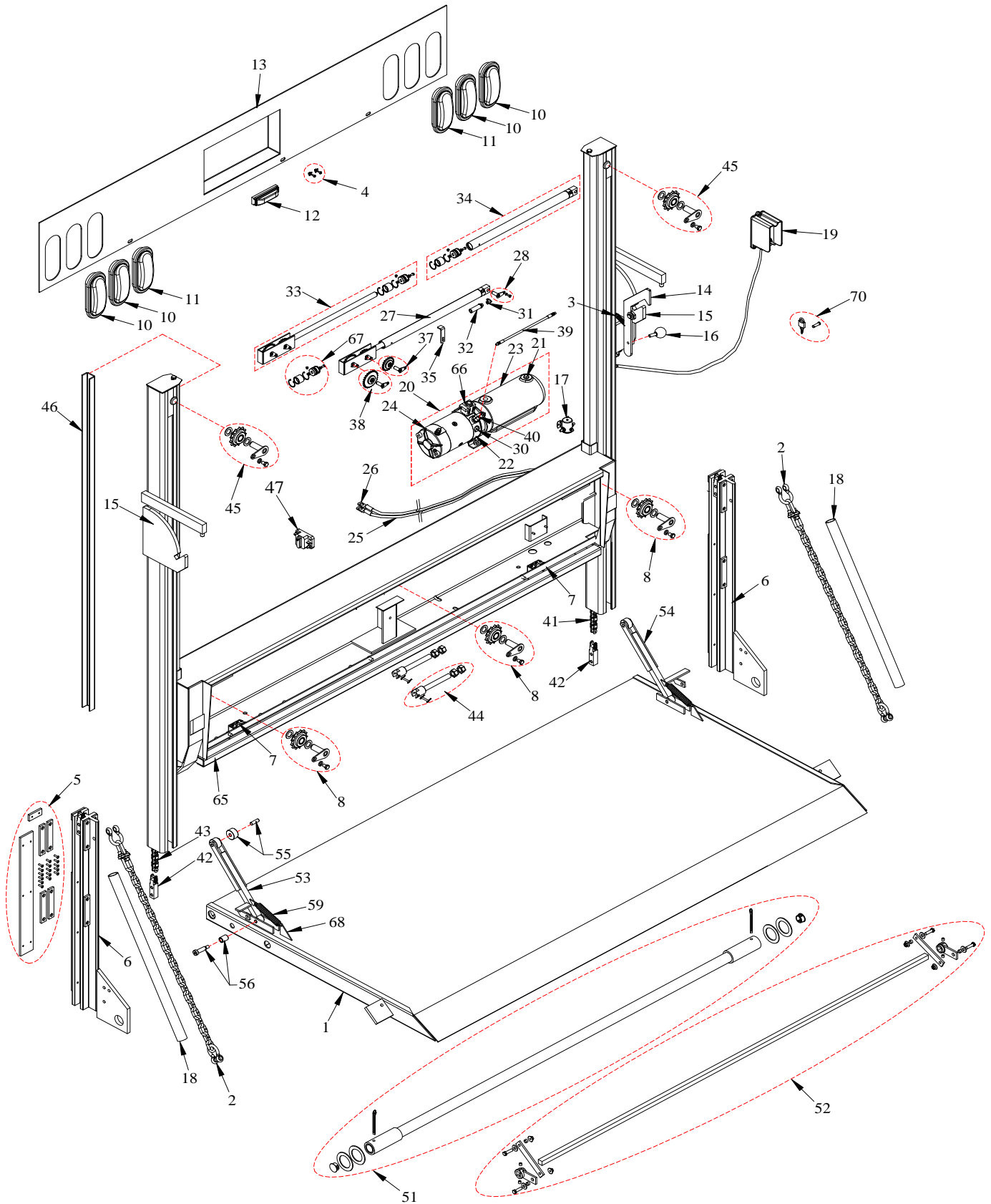


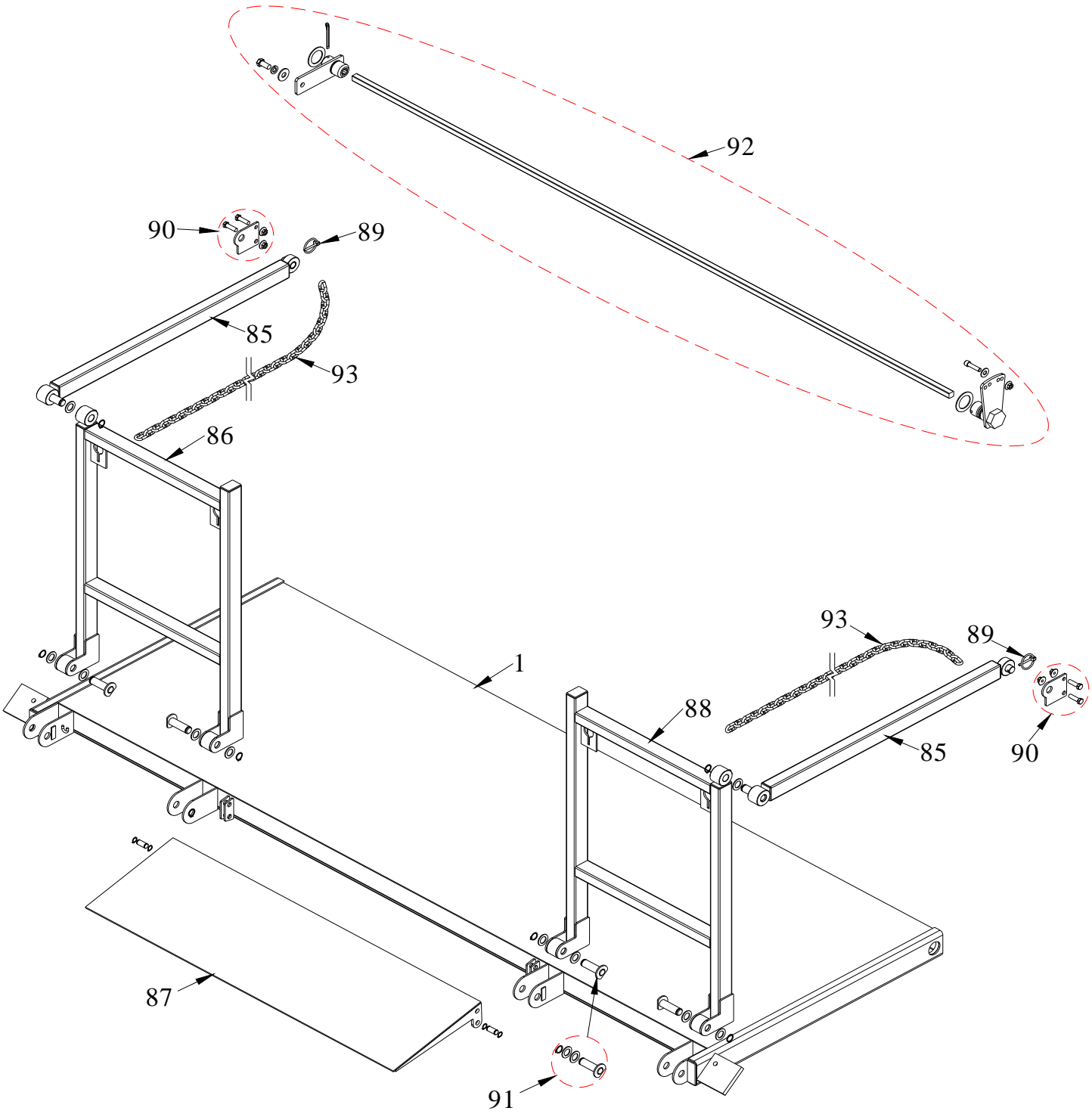
1600 AND 2000 RAILGATE SERIES

PARTS DRAWING

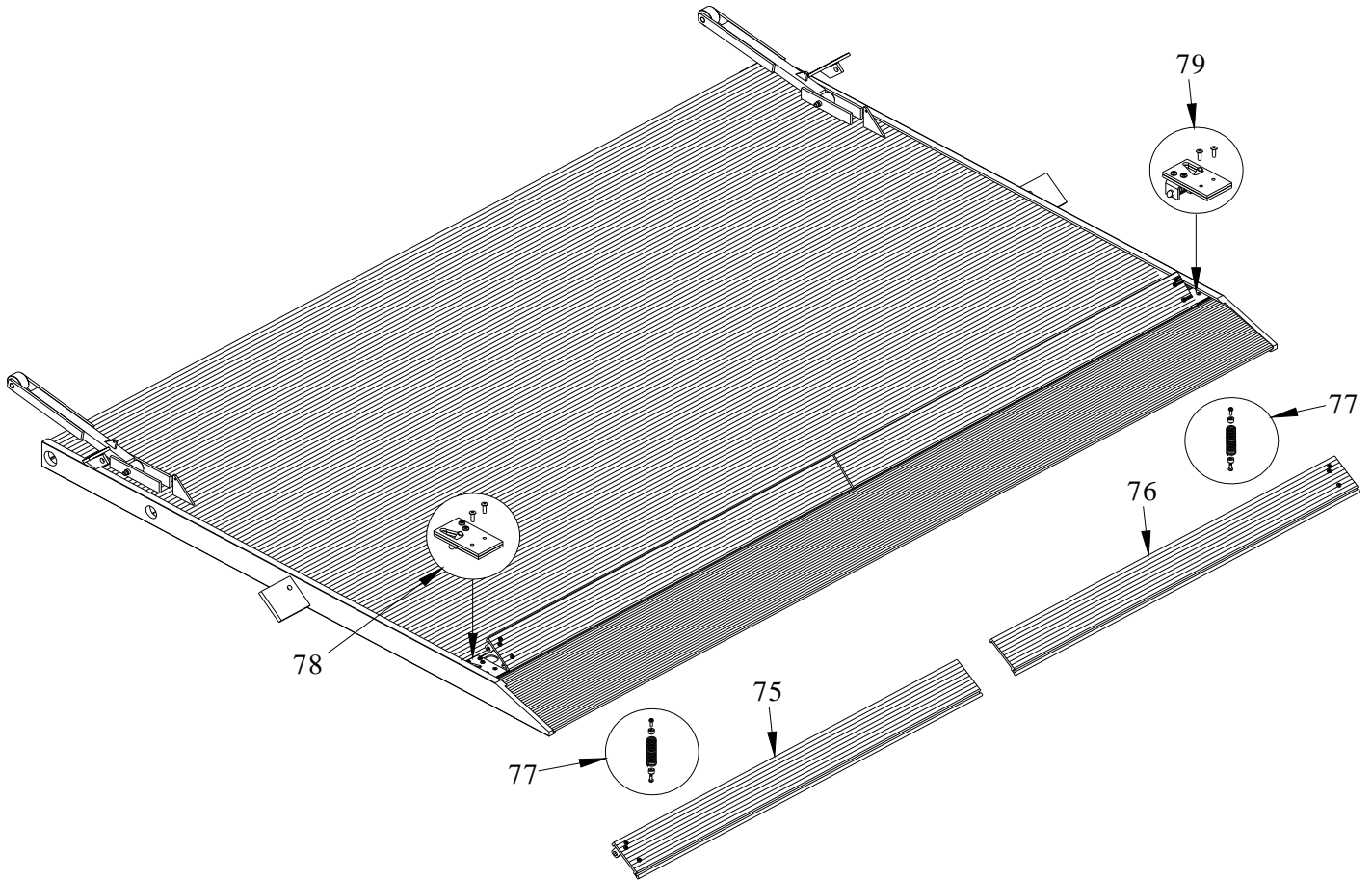
FOR MODELS 73, 79, 85, 89 & 95



**1600 AND 2000 RAILGATE SERIES
BOTTLE RACK PARTS DRAWING
FOR MODELS 73, 79, 85, 89 & 95**



1600 AND 2000 RAILGATE SERIES
ALUMINUM CARTSTOP PARTS DRAWING
FOR MODELS 73, 79, 85, 89 & 95



1600 AND 2000 RAILGATE SERIES PARTS PRICE LIST

Draw. Ref.	Part No.	Description	Qty Required	
1	1718	(73) SC 37+6 Replacement Steel Platform	1	
	1719	(79) SC 37+6 Replacement Steel Platform	1	
	1261	(85) SC 37+6 Replacement Steel Platform	1	
	1262	(89) SC 37+6 Replacement Steel Platform	1	
	1700	(95) SC 37+6 Replacement Steel Platform	1	
	1727	(73) SC 60+12 Replacement Aluminum Platform	1	
	1728	(79) SC 60+12 Replacement Aluminum Platform	1	
	1267	(85) SC 60+12 Replacement Aluminum Platform	1	
	1268	(89) SC 60+12 Replacement Aluminum Platform	1	
	1703	(95) SC 60+12 Replacement Aluminum Platform	1	
	1723	(73) SC 42+6 Replacement Steel Platform	1	
	1724	(79) SC 42+6 Replacement Steel Platform	1	
	1263	(85) SC 42+6 Replacement Steel Platform	1	
	1264	(89) SC 42+6 Replacement Steel Platform	1	
	1701	(95) SC 42+6 Replacement Steel Platform	1	
	1740	(73) TA 30+12 Replacement SGBR w/Rack	1	
	1741	(79) TA 30+12 Replacement SGBR w/Rack	1	
	1286	(85) TA 30+12 Replacement SGBR w/Rack	1	
	1287	(89) TA 30+12 Replacement SGBR w/Rack	1	
	1742	(95) TA 30+12 Replacement SGBR w/Rack	1	
	6374	(73) SC 55+12 Replacement Aluminum Platform	1	
	6494	(79) SC 55+12 Replacement Aluminum Platform	1	
	1720	(85) SC 55+12 Replacement Aluminum Platform	1	
	3323	(89) SC 55+12 Replacement Aluminum Platform	1	
	3172	(95) SC 55+12 Replacement Aluminum Platform	1	
	2	3894	Rail (BH) & (65+6 AB) Replacement Platform Chain (36 Links)	2
		3895	Rail (AB) Replacement Platform Chain (29 Links)	2
		3896	Rail (BH) 65+6 Replacement Platform Chain (41 Links)	2
	3	931	Replacement Rail Latch Spring	1
	4	1111	License Plate Mount Kit	1
	5	8618	Replacement Bearing Pad Set (Steel Mainframe)	2
8591		Replacement Bearing Pad Set (Aluminum Mainframe)	2	
6	8628	44" Replacement Slider w/Pads-Left (Steel Mainframe-BH)	1	
	8629	44" Replacement Slider w/Pads-Right (Steel Mainframe-BH)	1	
	8630	32" Replacement Slider w/Pads-L or R (Steel Mainframe-AB)	2	
	8654	44" Replacement Slider w/Pads-Left (Aluminum Mainframe-BH)	1	
	8655	44" Replacement Slider w/Pads-Right (Aluminum Mainframe-BH)	1	
	8656	32" Replacement Slider w/Pads-L or R (Aluminum Mainframe-AB)	2	
7	930	Replacement Rail Safety Switch	2	
8	4187	13 Tooth Replacement Sprocket w/3/4"x2" Clipped Pin & Pin Holder	3	
	4191	13 Tooth Replacement Sprocket, Pin & Keeper (All Aluminum)	3	
10	928	Replacement Red Light w/Grommet (after serial# M16-2387R and M20-5786)	4	
	929	Replacement Red Light w/Grommet (before serial# M16-23388R and M20-5787)	4	
11	926	Replacement Clear Light w/Grommet (after serial# M16-2387R and M20-5786)	2	
	927	Replacement Clear Light w/Grommet (before serial# M16-23388R and M20-5787)	1	
12	4036	Replacement License Plate Light & Bracket(154c) (after serial # M16-23387R and M20-5786)	1	
	949	Replacement License Plate Light (before serial# M16-23388R and M20-5787)	1	

1600 AND 2000 RAILGATE SERIES PARTS PRICE LIST

Draw. Ref.	Part No.	Description	Qty Required
13	4710	Replacement Steel Box Cover w/Lights (73SC)	1
	4711	Replacement Aluminum Box Cover w/Lights (73SC)	1
	4760	Replacement Steel Box Cover w/Lights (79SC)	1
	4761	Replacement Aluminum Box Cover w/Lights (79SC)	1
	4762	Replacement Steel Box Cover w/Lights (85SC)	1
	4763	Replacement Aluminum Box Cover w/Lights (85SC)	1
	4764	Replacement Steel Box Cover w/Lights (89SC)	1
	4709	Replacement Aluminum Box Cover w/Lights (89SC)	1
	4772	Replacement Steel Box Cover w/Lights (95SC)	1
4773	Replacement Aluminum Box Cover w/Lights(95SC)	1	
14	1977	Railgate Replacement Latch Lever	1
	2005	Aluminum Railgate Replacement Latch Lever	1
15	2033	Replacement Steel Latch Plate-Right	1
	925	Replacement Steel Latch Plate-Left	1
	2006	Aluminum Railgate Replacement Latch Plate-Right	1
	2007	Aluminum Railgate Replacement Latch Plate-Left	1
16	955	Replacement Latch Knob with Stud	1
17	967	Replacement Raise Solenoid-3 Post	1
18	6597	Replacement Cloth Chain Cover (40 Link)	2
	6596	Replacement Cloth Chain Cover (33 Link)	2
	6593	Replacement Cloth Chain Cover (45 Link)	2
19	987	Replacement Fixed Control	1
20	4381	M319 Replacement Pump & Motor (2600psi)2Qt.** 1600# Railgate(73)	1
	4367	M319 Replacement Pump & Motor (2600psi)3Qt.** 1600# Railgate	1
	4383	M319 Replacement Pump & Motor (3200psi)2Qt.** 2000# Railgate(73)	1
	4368	M319 Replacement Pump & Motor (3200psi)3Qt.** 2000# Railgate	1
21	989	Replacement Vent Plug	1
22	4284	Replacement M319 Pump (only) w/2qt. Tank (2600psi) 1600# Railgate(73)	1
	4282	Replacement M319 Pump (only) w/3qt. Tank (2600psi) 1600# Railgate	1
	4285	Replacement M319 Pump (only) w/2qt. Tank (3200psi) 2000# Railgate(73)	1
	4283	Replacement M319 Pump (only) w/3qt. Tank (3200psi) 2000# Railgate	1
23	4355	Replacement Monarch Plastic Tank (3 Qt.)**	1
	4354	Replacement Monarch Plastic Tank (2 Qt.)** 73 Railgate	1
24	958	Replacement 12 Volt Motor-Only (Monarch)**	1
25	4708	Replacement 4 Ga. 2 Wire Electric Cable w/Lugs-33 ft.	1
26	992	Replacement Copper Lug	6
27	9760	Railgate Replacement Cylinder(79-95)	1
	9757	Railgate Replacement Cylinder(73)	1
28	8222	Replacement Rail Cylinder Pin And Clip	1
30	973	Replacement Monarch Lee Check Valve (after serial # M16-26696R 1600#) (after serial# M20-6881 2000#)	1
31	934	Replacement 3/8"x3/8"x90 Degree Steel Cylinder Elbow	1
	917	Replacement 3/8"x9/16"x90 Degree Steel Cylinder Elbow	1
32	933	Replacement Flow Control Complete (3/8" M x 1/4" F x .078")	1
33	3221	Cylinder Shaft w/Sprockets Assembly (Rail) Includes: Cylinder Repair Kit	1
	3287	Cylinder Shaft w/Sprockets Assembly(73 Rail) Includes: Cylinder Repair Kit	1
34	3257	2"x35" Replacement Cylinder Barrel (Rail) Includes: Cylinder Repair Kit	1
	3290	2"x29" Replacement Cylinder Barrel(73 Rail) Includes: Cylinder Repair Kit	1
35	6834	Replacement Cylinder Clamp (Rail)	1
	6835	Replacement Cylinder Clamp (All Aluminum Rail)	1
37	4188	19-Tooth Repair Sprocket w/3/4"x2" Pin	1
38	4189	25-Tooth Repair Sprocket w/3/4"x2" Pin	1
39	923	Replacement 1/4"x20" Hydraulic Hose(79,85,89,95)	1
	924	Replacement 1/4"x15" Hydraulic Hose(73)	1
40	944	Replacement 90 Degree Elbow (Male 9/16 Oring Boss x Female 1/4 NPTF)	1
	945	Replacement 90 Degree Elbow (Male 3/8 NTPF x Female 1/4 NPTF)	1
41	8020	173 Pitch Replacement Roller Chain Bed-Height Passenger's Side	1
	8021	281 Pitch Replacement Roller Chain Above-Bed Passenger's Side	1
42	8030	Replacement Roller Chain Attachment Fitting	2
43	8022	219 Pitch Replacement Roller Chain Bed-Height Driver's Side	1
	8023	325 Pitch Replacement Roller Chain Above-Bed Driver's Side	1
	8035	229 Pitch Replacement Roller Chain Bed-Height Driver's Side(95)	1
	8044	335 Pitch Replacement Roller Chain Above-Bed Driver's Side(95)	1
44	7947	Roller Chain Adjustment Screw, Clevis and Pin	2
45	4190	13 Tooth Replacement Sprocket (Above-Bed only) w/3/4"x3" Pin	2
	4192	13 Tooth All Aluminum Replacement Sprocket, Pin & Keeper (Above-Bed only)	2
46	7866	Replacement Roller Chain Cover (Above-Bed only)	2
	7884	Replacement All Aluminum Rail Roller Chain Cover (Above-Bed only)	2
47	998	Replacement 150 Amp Manual Reset Circuit Breaker	1

1600 AND 2000 RAILGATE SERIES PARTS PRICE LIST

Draw. Ref.	Part No.	Description	Qty Required
51	6437	76-1/2" Replacement Hinge Tube (73)	1
	6435	82-1/2" Replacement Hinge Tube (79)	1
	6433	88" Replacement Hinge Tube (85)	1
	6434	92" Replacement Hinge Tube (89)	1
	6436	98" Replacement Hinge Tube (95)	1
52	8092	Railgate Replacement Self-Close Rod & Linkage (73)	1
	8061	Railgate Replacement Self-Close Rod & Linkage (79)	1
	8060	Railgate Replacement Self-Close Rod & Linkage (85)	1
	8059	Railgate Replacement Self-Close Rod & Linkage (89)	1
	7995	Railgate Replacement Self-Close Rod & Linkage (95)	1
	8093	Aluminum Railgate Replacement Self-Close Rod & Linkage (73)	1
	8094	Aluminum Railgate Replacement Self-Close Rod & Linkage (79)	1
	8071	Aluminum Railgate Replacement Self-Close Rod & Linkage (85)	1
	8072	Aluminum Railgate Replacement Self-Close Rod & Linkage (89)	1
	8095	Aluminum Railgate Replacement Self-Close Rod & Linkage (95)	1
53	8137	Replacement Steel Platform Self-Close Arm Kit- Left	1
	8140	Replacement Aluminum Platform Self-Close Arm Kit- Left	1
	8128	Replacement All Aluminum Self-Close Arm Kit (Left)	1
54	8136	Replacement Steel Platform Self-Close Arm Kit- Right	1
	8139	Replacement Aluminum Platform Self-Close Arm Kit- Right	1
	7290	Replacement All Aluminum Self-Close Arm Kit (Right)	1
55	8066	1-3/4" Replacement Self-Close Roller Kit	2
56	8067	Repair Self-Close Arm Bushing Kit-Steel Platform	2
	8068	Repair Self-Close Arm Bushing Kit-Aluminum Platform	2
59	922	Replacement Rail .115" Wire x .75" x 5.5" Extension Spring	2
65	8002	Replacement Self-Close Safety Trip Bar-65-1/2" (73)	1
	8064	Replacement Self-Close Safety Trip Bar-71-1/2" (79)	1
	8062	Replacement Self-Close Safety Trip Bar-77-1/2" (85)	1
	8063	Replacement Self-Close Safety Trip Bar-81-1/2" (89)	1
	8065	Replacement Self-Close Safety Trip Bar-87-1/2" (95)	1
	7992	(A73SC)Replacement Safety Trip Bar-65-1/2"	1
	7993	(A79SC)Replacement Safety Trip Bar-71-1/2"	1
	7979	(A85SC)Replacement Safety Trip Bar-77-1/2"	1
	7980	(A89SC)Replacement Safety Trip Bar-81-1/2"	1
	7994	(A95SC)Replacement Safety Trip Bar-87-1/2"	1
66	9645	Release Solenoid External Assembly w/Connector	1
67	1110	2" Cylinder Repair Kit (after serial #M16-16166R and M20-3192)	1
68	920	Replacement Steel Platform Triangle Deadman	2
	921	Replacement Aluminum Platform Triangle Deadman	2
70	914	Rail Pin and Padlock w/Keys	1
75	8363	Replacement Left Cartstop Assembly(73) w/Spring	1
	8390	Replacement Left Cartstop Assembly(79) w/Spring	1
	8391	Replacement Left Cartstop Assembly(85) w/Spring	1
	8392	Replacement Left Cartstop Assembly(89) w/Spring	1
	8365	Replacement Left Cartstop Assembly(95) w/Spring	1
76	8364	Replacement Right Cartstop Assembly(73) w/Spring	1
	8393	Replacement Right Cartstop Assembly(79) w/Spring	1
	8394	Replacement Right Cartstop Assembly(85) w/Spring	1
	8395	Replacement Right Cartstop Assembly(89) w/Spring	1
	8366	Replacement Right Cartstop Assembly(95) w/Spring	1
77	8396	Replacement Cartstop Spring Assembly	2
78	8397	Replacement Cartstop Latch Assembly (L)	1
79	8398	Replacement Cartstop Latch Assembly (R)	1
85	2324	Replacement Horizontal Tube Assembly (BR)	2
86	2325	Replacement Bottle Rack Fence-Left	1
87	2333	Replacement Bottle Rack Taper(73)	1
	2326	Replacement Bottle Rack Taper(79)	1
	2327	Replacement Bottle Rack Taper(85)	1
	2328	Replacement Bottle Rack Taper(89)	1
	2332	Replacement Bottle Rack Taper(95)	1
88	2329	Replacement Bottle Rack Fence-Right	1
89	919	Replacement Gas Bottle Rack Lynch Pin	2
90	2330	Replacement Pivot Plate (BR)	2
91	2331	Replacement Pivot Pin w/Snap Ring (BR)	4
92	2054	5/8"SQ. Torsion Spring Kit(73Rail)	1
	1993	5/8"SQ. Torsion Spring Kit(79Rail)	1
	1996	5/8"SQ. Torsion Spring Kit(85Rail)	1
	1999	5/8"SQ. Torsion Spring Kit(89Rail)	1
	2034	5/8"SQ. Torsion Spring Kit(95Rail)	1
93	918	Replacement Bottle Rack Chain - 3/16" Zinc x 75 Link	2

**Please provide the liftgate Model and Serial numbers when ordering repair parts.